



## Whitehall Compact Surgical Scrub Sink ADA Compliant One Station

Model 4121ADA

Please visit [www.whitehallmfg.com](http://www.whitehallmfg.com)  
for most current specifications.



4121ADA

Fixture May Show Some Available Options

**Surgical Scrub Sink** is designed for use in health care institutions providing surgeons with a convenient Sink for pre-op scrub up.

**Fixture** is fabricated from heavy gage, type 304 stainless steel and is seamless welded construction with a satin finish. The Cabinet interior is sound-deadened with a fire-resistant material. The unit is designed to be installed on the wall using a Mounting Carrier.

**Scrub Sink** is provided with a Front Panel which is easily removed for access to the Water Control Valves, Waste connections, Stops and Strainers. Scrub Sink has a sloping bottom surface to minimize splashing and a 1-1/2" O.D. Tailpiece with a 3" flat Strainer Drain.

**Backsplash** has a Gooseneck Spout assembly with Sprayhead that can be removed for sterilization.

**Hands Free Operation** includes infrared Sensor located on Back Panel.

**T/P Temperature/Pressure Balancing Mixing Valve** is located behind the Front Panel and maintains a constant water temperature. This easily adjustable, anti-scald Valve compensates for inlet temperature fluctuation.

**Solenoid Valve** is a slow-closing, anti-water hammer type.

### GUIDE SPECIFICATION

Provide Whitehall ADA Compact Surgical Scrub Sink (specify model number and options). Fixture shall be fabricated from heavy gage, type 304 stainless steel, with seamless welded construction with a satin finish. Cabinet interior shall have a sound deadening, fire-resistant material. Cabinet shall also have removable Front Panel to allow access to Water Control Valves, Waste connections, Stops and Strainers. Sink shall have a sloping bottom to minimize splashing, and a 1-1/2" O.D. Tailpiece with a 3" flat Strainer Drain. Gooseneck shall have a removable Sprayhead. Fixture shall have a T/P Temperature/Pressure Balancing Mixing Valve with slow-closing, anti-water hammer Solenoid Valve, Infrared Sensor and Transformer. Transformer must be wired to a GFI protected circuit. Manufacturer shall provide necessary installation instructions.

Please visit [www.whitehallmfg.com](http://www.whitehallmfg.com)  
for most current specifications.



Member of  
U.S. Green  
Building  
Council



Recyclable  
Product





**BASE MODEL NUMBER**

- 4121ADA Compact Surgical Scrub Sink (1 Station)

**MOUNTING**

- MC Mounting Carrier

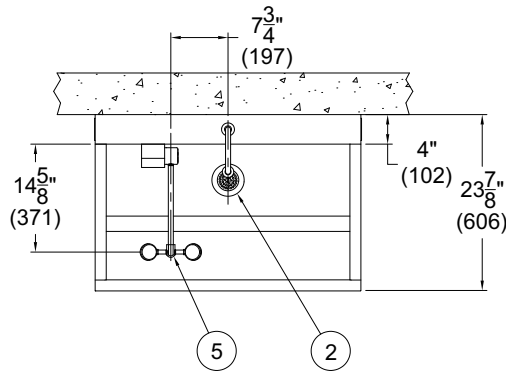
**Product Options**

- EFW Eye/Face Wash (Must Specify Below)
  - ET71-1 Emergency Fixture Mixing Valve
  - Emergency Mixing Valve By Others
- NOTE:** When specified, ET71-1 Emergency Mixing Valve will be provided
- LFN Laminar Flow Nozzle
- SWV Swivel Nozzle on Gooseneck

**Accessories**

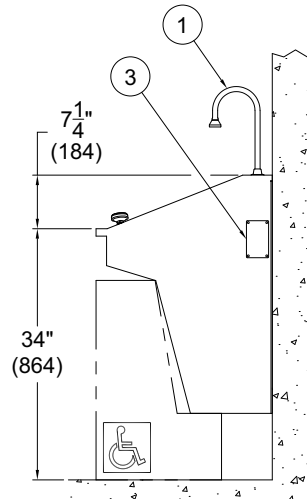
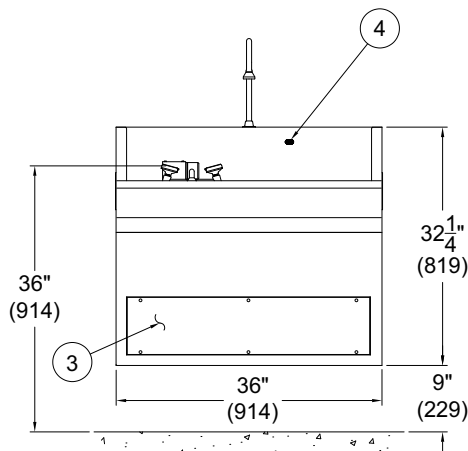
An appropriate Chronomite Instantaneous Tankless Water Heater may be purchased separately to ship with your scrub sink. Contact your sales rep for details or visit [www.chronomite.com](http://www.chronomite.com)

Please visit [www.whitehallmfg.com](http://www.whitehallmfg.com) for most current specifications.



**NOTES:**

1. Gooseneck Spout Assembly
2. Flat Strainer Drain
3. Removable Access Panel
4. Infrared Sensor
5. Optional -EFW Eye/Face Wash



**MODEL #4121ADA-EFW**

**WARNING:** Cancer and Reproductive Harm - [www.P65Warnings.ca.gov](http://www.P65Warnings.ca.gov)

**SELECTION SUMMARY & APPROVAL FOR MANUFACTURING**

Model Number & Options \_\_\_\_\_ Quantity \_\_\_\_\_  
 Company \_\_\_\_\_ Date \_\_\_\_\_  
 Contact \_\_\_\_\_ Title \_\_\_\_\_  
 Approval for Manufacturing/Signature \_\_\_\_\_

All dimensions are nominal and subject to manufacturer's change without notice. Whitehall assumes no responsibility for use of void or suspended data © Whitehall Manufacturing, Member of Morris Group International. Please visit [www.whitehallmfg.com](http://www.whitehallmfg.com) for most current specifications.