

EZ Wash-N-Go![™]

**MODEL A171100W SERIES
BARRIER FREE, WALL MOUNTED
HAND WASHING STATION**

STANDARD FEATURES

- Child or Adult ADA Compliant (When Properly Installed)
- Gray Powder Coated Apron And One-Piece Bottom Wrapper or Satin Finish Stainless Steel
- Hands Free Sensor Operated Stainless Steel "J" Spout
- 9V Battery Power or Plug-in Transformer
- Durable Stainless Steel Spout Superior to Chrome Finish
- Hanging Bracket Provided
- Rough-Ins Match Other Water Cooler Manufacturer's for Easy Retrofit

SUGGESTED SPECIFICATIONS

Wall mounted ADA Hand Washing Station shall be Murdock model A171100W series. Hand wash shall be activated by a Hands Free Sensor Operated Faucet with 0.5 GPM Laminar Flow outlet to minimize splash. Provide with 9 Volt DC battery power and Plug-in Transformer. Faucet Spout shall be constructed of type 304 stainless steel. Basin shall be constructed from 304 Stainless Steel and have an Integral Drain. Cabinet shall be either Galvanized or Galvannealed Steel with Gray Powder Coat Finish or Stainless Steel with Satin Finish. Unit to include a rear alcove Splash Guard manufactured from antimicrobial, impact resistant ABS. Pump Soap Dispenser shall allow for top refill of liquid and lotion soap and to include 4" stainless steel spout with bright polished finish and 34 ounce polyethylene Soap Container. Optional Tankless Water Heater shall be shipped loose for remote installation or within Cabinet. Hand Washing Station to comply with ANSI A117.1, Public Law 111-380 (NO-LEAD), CHSC 116875. Fixture shall meet ADA, ADA Standing Person, and ADA Child requirements when mounted appropriately.

Complies with the following standards:



Model A171100W-PS Shown

MODEL:

(Must Specify)

- A171100W Gray Finish (Standard)
- A171400W Stainless Steel Finish
- A171100W-PS Gray Finish with Pump Soap Dispenser
- A171400W-PS Stainless Steel Finish with Pump Soap Dispenser
- A171100W-SSO Gray Finish with Sensor Operated Soap Dispenser
- A171400W-SSO Stainless Steel Finish with Sensor Operated Soap Dispenser

OPTIONS:

(additional costs may be apply)

- H240 Tankless Water Heater, 20 amp 240 volt ¹ Model # CM20L/240 104F-NPT08
- H120 Tankless Water Heater, 12 amp 120 volt ¹ Model # CM12L/120 104F-NPT08

Options Notes:

¹ For Information on Chronomite® Water Heaters Refer to website: www.Chronomite.com



Member of U.S. Green Building Council



Recyclable Product

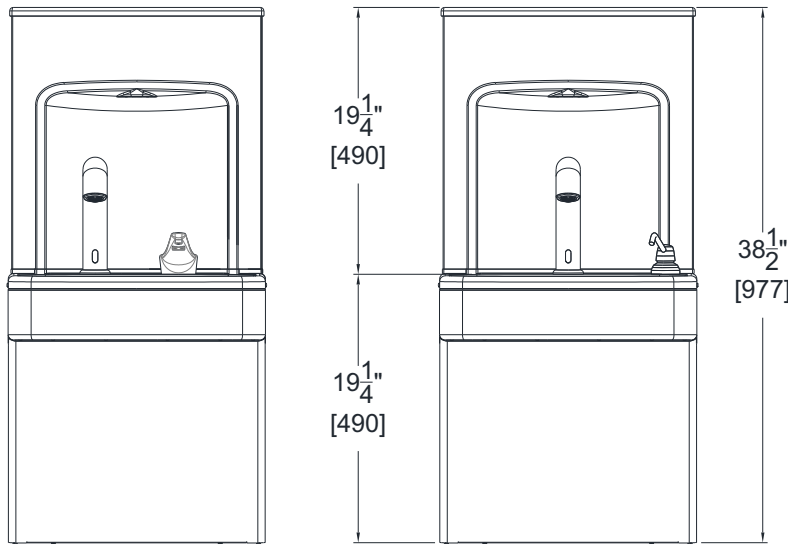
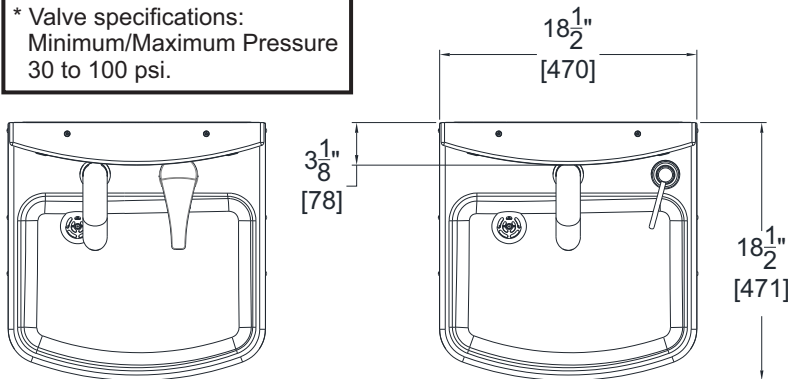


Water Conserving Product

⚠ WARNING: Cancer and Reproductive Harm - www.P65Warnings.ca.gov

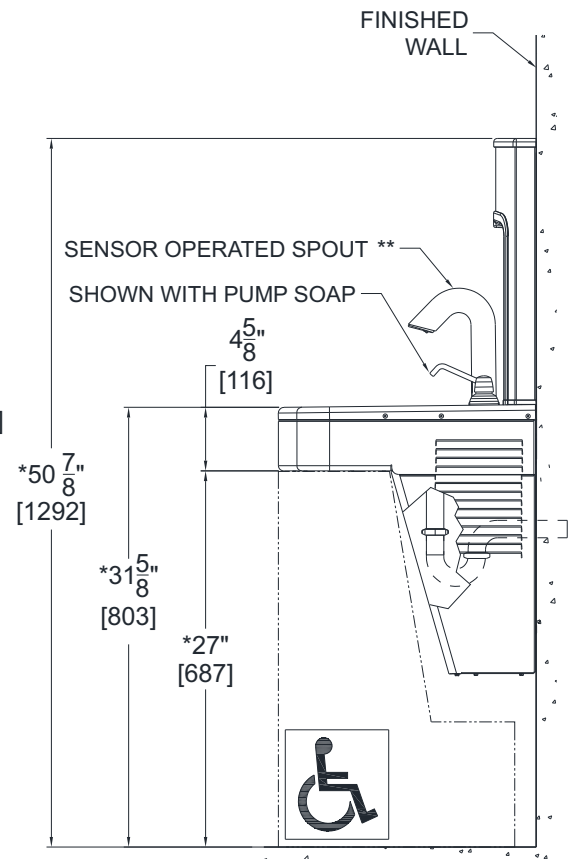
* Valve specifications:
Minimum/Maximum Pressure
30 to 100 psi.

EZ Wash-N-Go![™]
MODEL A171100W SERIES
BARRIER FREE, WALL MOUNTED
HAND WASHING STATION



A171100W-SSO

A171100W-PS



GENERAL NOTES:

1. ALL DIMENSIONS ARE IN INCHES [mm]
2. * DIMENSIONS SHOWN ARE FOR RECOMMENDED ADULT HEIGHT. ADJUST VERTICAL DIMENSIONS AS NECESSARY TO COMPLY WITH FEDERAL, STATE & LOCAL CODES.
3. P-TRAP AND INLET STOP NOT PROVIDED.
4. ** DISTANCE FROM NOZZLE TO BASIN IS 6-1/2" [165].

Murdock Mfg.[™] warrants that its products are free from defects in material or workmanship under normal use and service for a period of one year from date of shipment. Murdock's liability under this warranty shall be discharged solely by replacement or repair of defective material, provided Murdock[™] is notified in writing within one year from date of shipment, F.O.B. Industry, California.

**SELECTION SUMMARY
& APPROVAL FOR
MANUFACTURING**

Model Number & Options _____ Quantity _____

Company _____

Contact _____ Title _____

Signature _____ Date _____
(Approval for Manufacturing)

All dimensions are subject to manufactures tolerance of plus or minus 1/2" nominal and subject to change without notice. Murdock assumes no responsibility for use of void or superseded data. Dimensions may change with the addition of optional accessories. Murdock Mfg.[™], Member of Morris Group International[™]. Please visit www.murdockmfg.com for most current specifications.