

Deluxe Wash-N-Go![™]

MODEL A191400W

BARRIER FREE, WALL MOUNTED
HAND WASHING STATION

STANDARD FEATURES

- Child or Adult ADA Compliant (when properly installed)
- Type 304 Stainless Steel Basin and Housing
- Hands Free Sensor Operated Stainless Steel "J" Spout
- 9V Battery Power and Plug-in Transformer
- Durable Stainless Steel Spout Superior to Chrome Finish
- 100-Mesh Inlet Strainer
- Integral P-Trap
- Mounting Plate with Hardware

SUGGESTED SPECIFICATIONS

Wall mounted ADA Hand Washing Station shall be Murdock model A191400W. Hand Wash shall be activated by a Hands Free Sensor Operated Faucet with 0.5 GPM Laminar Flow outlet to minimize splash. Provide with 9 Volt DC battery power and 24VAC plug-in transformer. Spout shall be constructed of type 304 stainless steel. Basin shall be constructed from 304 stainless steel and have an Integral Drain. Cabinet shall be made from 18 gage, 304 stainless steel with a brushed finish. Unit shall have a uniquely designed, two-piece contoured Bowl with P-trap integral to the unit. Optional Tankless Water Heater shall be located within Valve Box. Unit to comply with ANSI A117.1, Public Law 111-380 (NO-LEAD), CHSC 116875. Fixture meets ADA, ADA Standing Person, and ADA Child requirements when mounted appropriately.



Model A191400W Shown

MODEL:

(Must Specify)

- A191400W Satin stainless finish

OPTIONS

(additional costs may be incurred)

- H240 Tankless Water Heater, 20 amp 240 volt ¹
Model # CM20L/240 104F-NPT08
- H120 Tankless Water Heater, 12 amp 120 volt ¹
Model # CM12L/120 104F-NPT08

Options Notes:

¹ For Information on Chronomite[®] Water Heaters
Refer to website: www.Chronomite.com

Complies
with the
following
standards:



Member of
U.S. Green
Building
Council



Recyclable
Product



Water
Conserving
Product

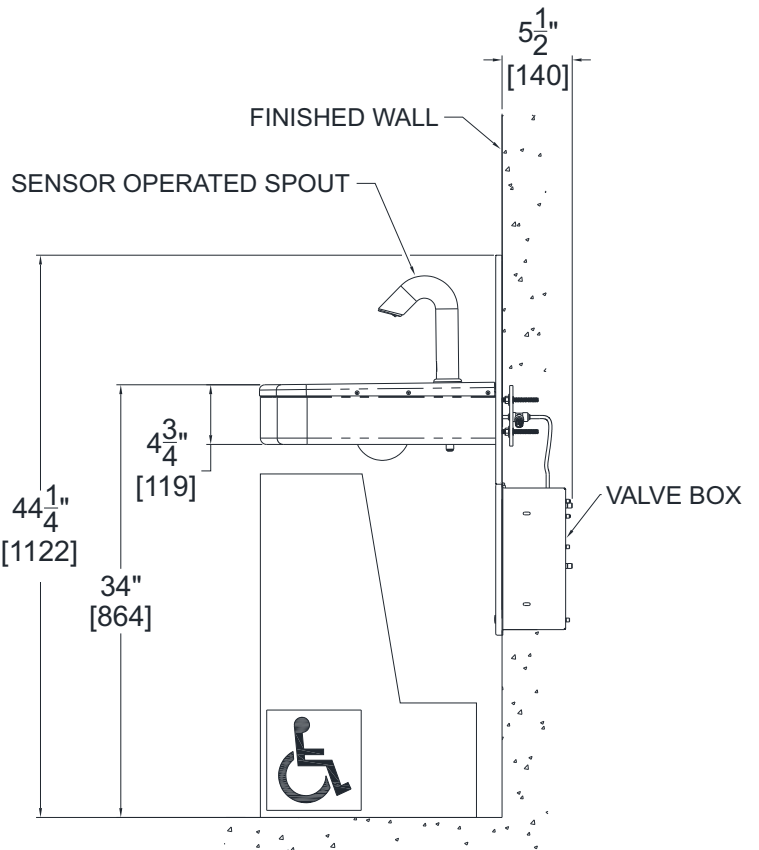
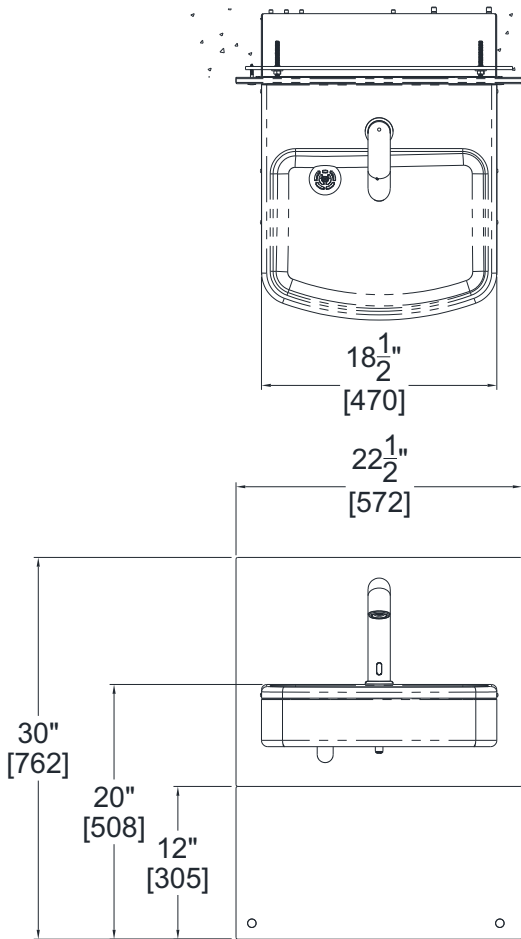
⚠ WARNING: Cancer and Reproductive Harm - www.P65Warnings.ca.gov

* Valve specifications:
Minimum/Maximum Pressure
30 to 100 psi.

Deluxe Wash-N-Go![™]

MODEL A191400W

**BARRIER FREE, WALL MOUNTED
HAND WASHING STATION**



GENERAL NOTES:

1. ALL DIMENSIONS ARE IN INCHES [mm]
2. DIMENSIONS SHOWN ARE FOR RECOMMENDED ADULT HEIGHT. ADJUST VERTICAL DIMENSIONS AS NECESSARY TO COMPLY WITH FEDERAL, STATE & LOCAL CODES.

Murdock Mfg.[™] warrants that its products are free from defects in material or workmanship under normal use and service for a period of one year from date of shipment. Murdock's liability under this warranty shall be discharged solely by replacement or repair of defective material, provided Murdock[™] is notified in writing within one year from date of shipment, F.O.B. Industry, California.

**SELECTION SUMMARY
& APPROVAL FOR
MANUFACTURING**

Model Number & Options _____ Quantity _____

Company _____

Contact _____ Title _____

Signature _____ Date _____
(Approval for Manufacturing)

All dimensions are subject to manufactures tolerance of plus or minus 1/2" nominal and subject to change without notice. Murdock assumes no responsibility for use of void or superseded data. Dimensions may change with the addition of optional accessories. Murdock Mfg.[™], Member of Morris Group International[™]. Please visit www.murdockmfg.com for most current specifications.