

BF1SC Series

UNIVERSAL COMPACT BOTTLE FILLER,
PUSHBUTTON OPERATED FOR RETROFIT
AND NEW INSTALLATIONS

STANDARD FEATURES

- Compact Design and Adjustable Drain Tray Retrofits Existing Drinking Fountains. **See List Below.**
- Chrome Plated Brass Pushbutton
- Heavy Duty Stainless Steel Cabinet
- Laminar Flow Water Supply
- 1 GPM Fill Rate (Min. Set Pressure 40 PSI)
- Lead Free
- 100-Mesh Inlet Strainer

SUGGESTED SPECIFICATIONS

Model BF1SC is a 12" wide, Pushbutton operated Bottle Filler designed to be used with Murdock and competitor's Drinking Fountains. Bottle Filler comes with two trays: Tray A accommodates a 5" to 7" deck length and Tray B accommodates a 7" to 9" deck length. Cabinet is fabricated of 18 gauge, type 304 stainless steel. When installed properly, the Bottle Filler complies with ADA forward reach requirements. Unit is certified to ANSI A117.1, Public Law 111-380 (NO-LEAD), CHSC 116875 and NSF/ANSI 61 Section 9.

Universal Compact Bottle Filler retrofits the following models:*

- Murdock: A151, A152 Series
- Haws: 1105, 1109
- Elkay: EDFP214
- Oasis: F140PM

* **NOTE:** For models listed above and all others, Installer/Specifier is responsible to verify existing rough-in and site conditions to ensure retrofit compatibility.

Complies with the following standards:



NSF/ANSI 61



U.S. DESIGN PATENT D718,971 S

BF1SC Bottle Filler, shown with Murdock® model A151-VR Drinking Fountain

MODEL:

(Must Specify)

- BF1SC Universal Compact Bottle Filler, Pushbutton Operated

OPTIONS

(additional costs may be incurred)

- WF1 1500-gallon capacity, NSF 42+53, 1 micron lead reduction filter ¹
- WF3 3000-gallon capacity, NSF 42+53, 1 micron lead reduction filter ¹

Options Notes:

¹ Water Filter shipped loose for remote mounting



Member of
U.S. Green
Building
Council



Recyclable
Product

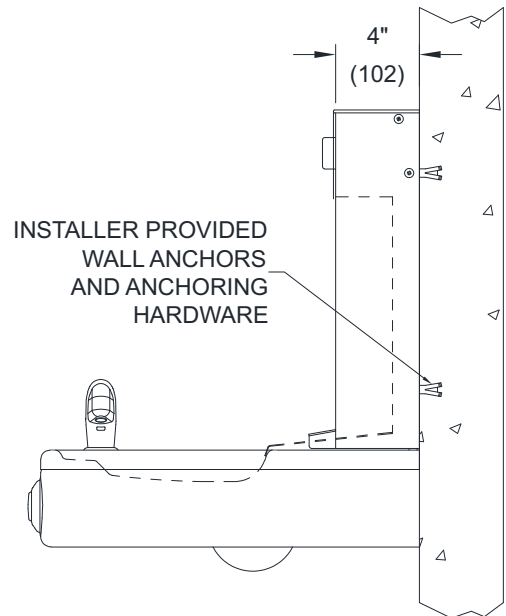
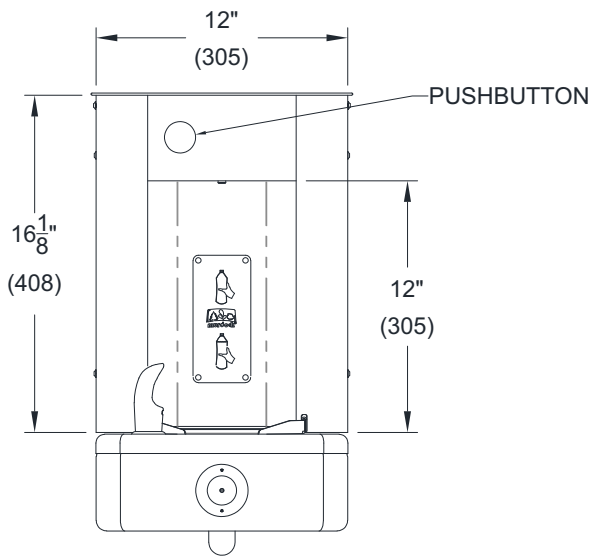
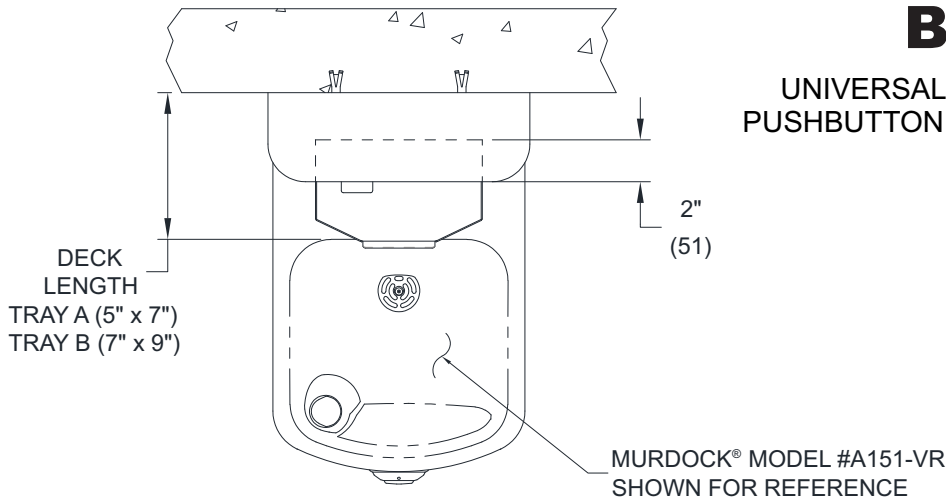


Water
Conserving
Product

⚠ WARNING: Cancer and Reproductive Harm - www.P65Warnings.ca.gov

BF1SC Series

UNIVERSAL COMPACT BOTTLE FILLER,
PUSHBUTTON OPERATED FOR RETROFIT
AND NEW INSTALLATIONS



GENERAL NOTES:

1. ALL DIMENSIONS ARE IN INCHES (MM)
2. FOR RETROFIT APPLICATIONS REFER TO MODELS LISTED ON PAGE 1

Murdock Mfg.™ warrants that its products are free from defects in material or workmanship under normal use and service for a period of one year from date of shipment. Murdock's liability under this warranty shall be discharged solely by replacement or repair of defective material, provided Murdock™ is notified in writing within one year from date of shipment, F.O.B. Industry, California.

SELECTION SUMMARY & APPROVAL FOR MANUFACTURING	Model Number & Options _____	Quantity _____	<p><small>All dimensions are subject to manufactures tolerance of plus or minus 1/2" nominal and subject to change without notice. Murdock assumes no responsibility for use of void or superseded data. Dimensions may change with the addition of optional accessories. Murdock Mfg.™, Member of Morris Group International™. Please visit www.murdockmfg.com for most current specifications.</small></p>
	Company _____		
	Contact _____	Title _____	
	Signature (Approval for Manufacturing) _____		
	Date _____		