

EZREACH™

MODEL BFEZ16 SERIES

COMPACT, WALL MOUNTED, SENSOR OPERATED, BOTTLE FILLER

STANDARD FEATURES

- Housing is Satin Finish Stainless Steel Or Gray Powder Coat Finish
- Lead Free
- Rough-Ins Match Other Manufacturer's Drinking Fountains for Easy Replacement
- Hands-Free Sensor Operation
- 100-Mesh Inlet Strainer
- 120VAC/9.0VDC Plug-In Transformer For Bottle Filler
- Laminar Flow Water Supply
- 1 GPM Fill Rate
- Sensor Has a 20 Seconds Maximum Run Time
- Access Panel for Ease of Maintenance
- Optional -WF1 & -WF3 Filter Cap Has Auto-Shut Off for Easy Changing of Filter Without Turning Off Supply

SUGGESTED SPECIFICATIONS

EZREACH™ Model BFEZ16 is a Surface Mount Sensor Operated Bottle Filler. Bottle Filling unit shall include Sensor Operated activation with a 20-second maximum run time. LED Lights illuminate the Bottle Fill area and brightens when a Bottle is detected with optional -BCD (Bottle Counter Display) only. Optional -BCD (Bottle Counter Display) indicates the quantity of 16 oz disposable Plastic Bottles saved from a land fill and also displays the Water Filter status. Optional Water Filter has NSF/ANSI 42 & 53 certification and reduces lead content in the drinking water by 99%. When installed properly, the Bottle Filler complies with ADA forward and side reach height requirements ADA Standing Person, and ADA Child. Bottle Filler is fabricated of type 304 stainless steel polished to a #4 satin finish with antimicrobial impact resistant ABS surfaces. Unit is certified to ANSI A117.1, Public Law 111-380 (NO-LEAD), CHSC 116875 and NSF/ANSI 61, Section 9. Unit shall still deliver ambient water temperature to the Spout in the absence of electrical power as long as -BAT option is used and there is a pressurized water supply. Bottle Filler housing construction will be 20 gauge Stainless Steel with a #4 satin finish and will also include components manufactured from Antimicrobial, impact resistant ABS. Bottle Filler shall provide approximately 1 GPM (3.8 LPM) flow rate with a Laminar Flow Spout to minimize splashing.



"RATED FOR INDOOR USE ONLY"

MODEL:

(Must Specify)

- BFEZG16 Compact Bottle Filler, Gray Finish Housing w/ Satin Finish Bottle Filler
- BFEZS16 Compact Bottle Filler, Stainless Steel Housing w/ Satin Finish Bottle Filler

MUST SPECIFY BOTTLE FILLER:

- BAT Bottle Filler with Battery Operated Sensor
- BCD Bottle Filler with Sensor Operation with Bottle Counter Display (N/A with -BAT Option)

OPTIONS:

(additional costs may apply)

- CSC5 Concealed Support Carrier
- WF1 1500-Gallon Capacity, NSF 42+53, 1-Micron Lead Reduction Filter
- WF3 3000-Gallon Capacity, NSF 42+53, 1-Micron Lead Reduction Filter

Complies with the following standards:



NSF/ANSI 61



Federal Public Law 111-380 (NO-LEAD)



Member of U.S. Green Building Council



Recyclable Product



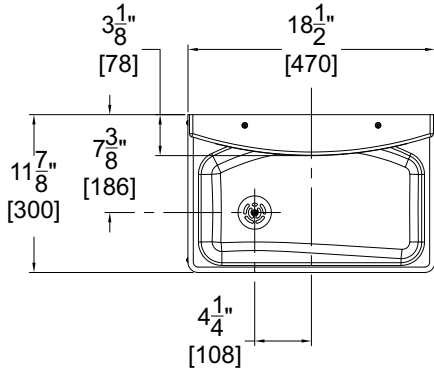
Water Conserving Product

WARNING: Cancer and Reproductive Harm - www.P65Warnings.ca.gov

EZREACH™

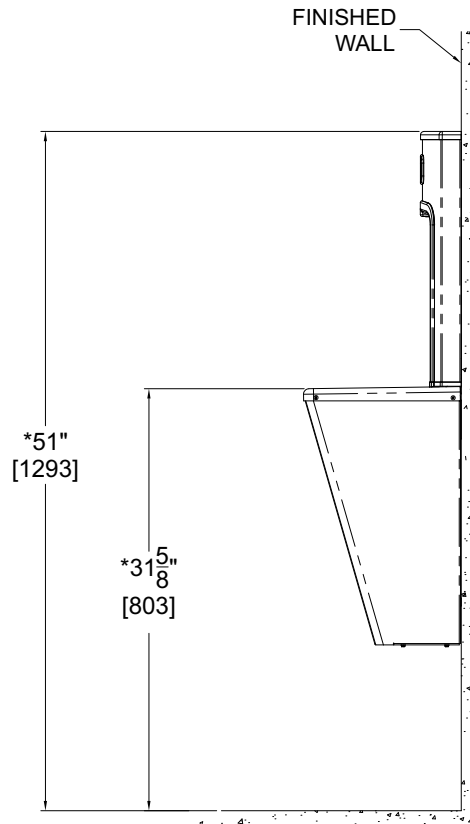
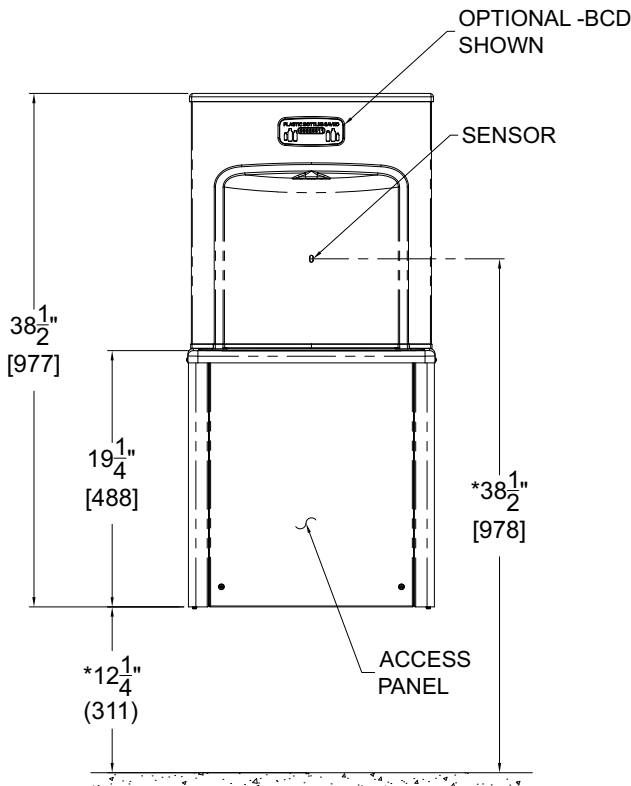
MODEL BFEZ16 SERIES

COMPACT, WALL MOUNTED, SENSOR
OPERATED, BOTTLE FILLER



GENERAL NOTES:

1. ALL DIMENSIONS ARE IN INCHES [mm]
2. *DIMENSIONS SHOWN ARE FOR RECOMMENDED ADULT HEIGHT. ADJUST VERTICAL DIMENSIONS AS NECESSARY TO COMPLY WITH FEDERAL, STATE & LOCAL CODES.
3. P-TRAP AND INLET STOP NOT PROVIDED.



Murdock Mfg.™ warrants that its products are free from defects in material or workmanship under normal use and service for a period of 18 months from date of shipment. The sealed refrigeration system is warranted for five years. Murdock's liability under this warranty shall be discharged solely by replacement or repair of defective material, provided Murdock™ is notified in writing within one year from date of shipment, F.O.B. Industry, California.

SELECTION SUMMARY
& APPROVAL FOR
MANUFACTURING

Model Number & Options _____ Quantity _____

Company _____

Contact _____ Title _____

Signature _____ Date _____
(Approval for Manufacturing)

All dimensions are subject to manufactures tolerance of plus or minus 1/2" nominal and subject to change without notice. Murdock assumes no responsibility for use of void or superseded data. Dimensions may change with the addition of optional accessories. Murdock Mfg.™, Member of Morris Group International™. Please visit www.murdockmfg.com for most current specifications.