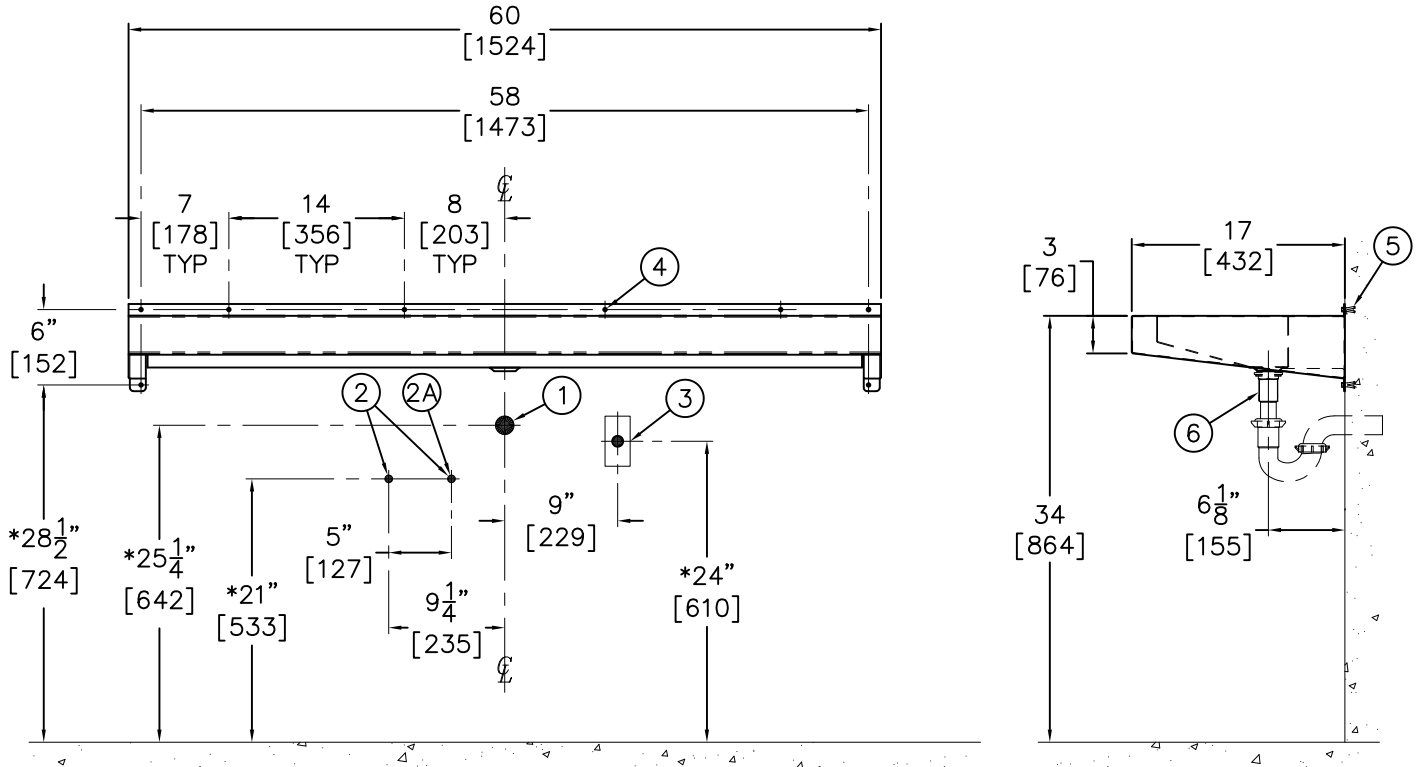




REFERENCE DRAWINGS:	
-TC1 TRAP COVER INSTALLS	9912-631-001
-TC2 TRAP COVER INSTALLS	9912-641-001

DIMENSIONS SHOWN ARE FOR ADA ADULT HEIGHT. ADJUST VERTICAL DIMENSIONS WITH (*) AS NECESSARY FOR JUVENILE HEIGHTS PER FEDERAL, STATE, & LOCAL CODES



INSTALLATION INSTRUCTIONS

A-ROUGH-IN FOR THE FOLLOWING:

- 1-1/2" OD WASTE OUTLET (1).
- 1/2" NPT HOT & COLD SUPPLY INLETS (2) FOR OPTIONAL FAUCET OR FAUCET BY OTHERS.
- 3/8" O.D. COLD SUPPLY INLETS (2A) FOR OPTIONAL BOTTLE FILLER.
- 120VAC, 60 Hz, 3A (MAX.) GFCI PROTECTED, ELECTRICAL RECEPTACLE (3) FOR OPTIONAL SENSOR OPERATED FAUCET, BOTTLE FILLER AND SOAP DISPENSER.
- (8) WALL MOUNTING PUNCHING (4), FOR INSTALLER PROVIDED 1/4" WALL ANCHORS AND ANCHORING HARDWARE (5).

B- ANCHOR FIXTURE TO WALL USING INSTALLER PROVIDED ANCHORING HARDWARE (5).

C- MAKE UP WASTE CONNECTION FOR OPTIONAL GRID STRAINER WITH P-TRAP (6) OR WASTE FITTINGS BY OTHERS.

D- FLUSH SUPPLY LINES (2) PRIOR TO MAKING UP CONNECTIONS FOR OPTIONAL FAUCET OR BOTTLE FILLER.



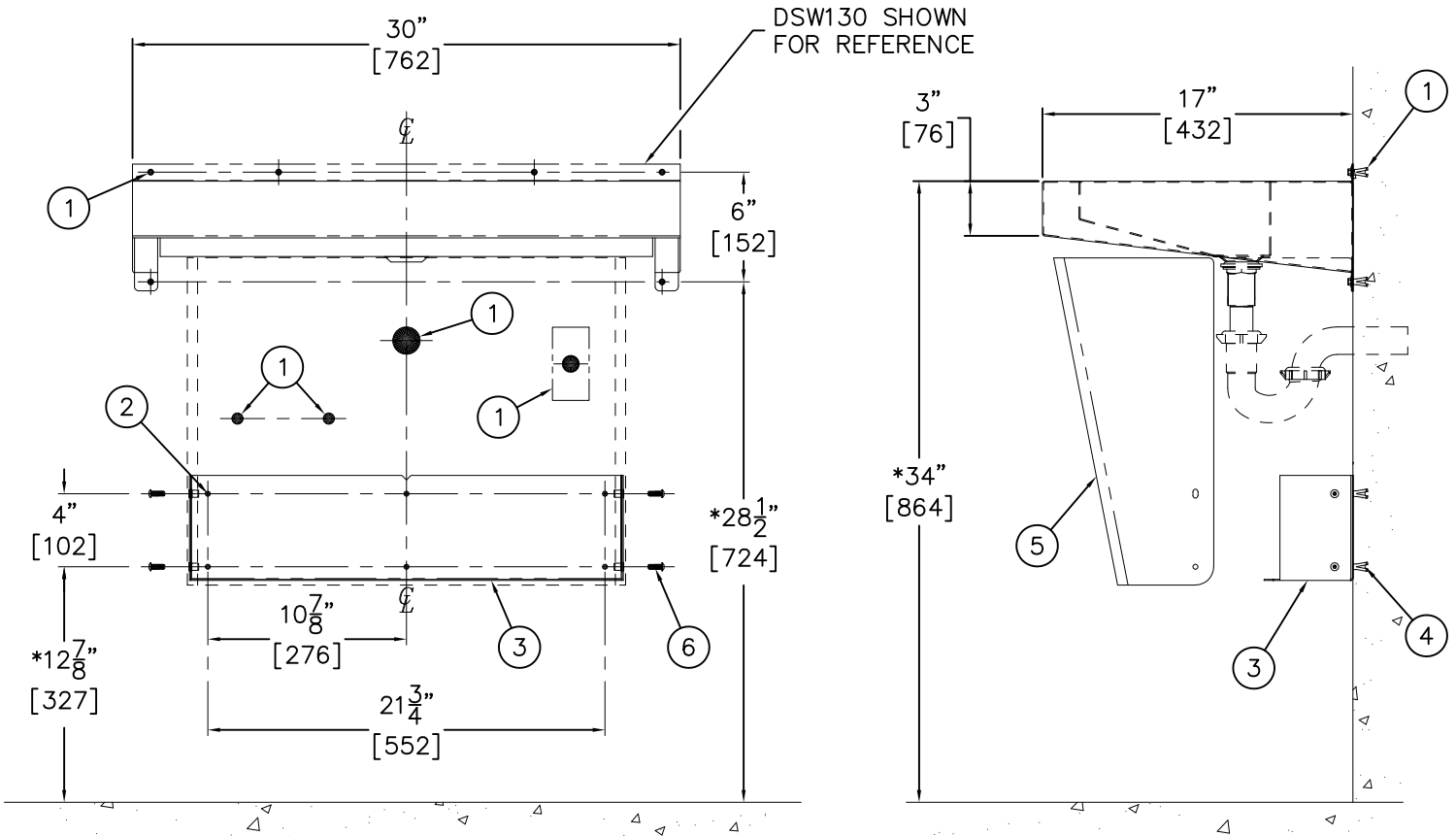
ACORN ENGINEERING COMPANY
 P.O. BOX 3527 Industry, CA 91744
 15125 Proctor Ave Industry, CA 91746
 (626) 336-4561 FAX (626) 961-2200

TITLE ROUGH-INS & INSTALLATION FOR DSW260 DELUXE TROUGH		
MANUFACTURE DATE DECEMBER 2020	DATE ISSUED 12/11/20	DRAWING NUMBER 9912-640-001
TO PRESENT	DATE REVISED 01/05/21 A	



REFERENCE DRAWINGS:	
DSW130 ROUGH-INS	9912-630-001
DSW260 ROUGH-INS	9912-640-001
DSW390 ROUGH-INS	9912-650-001
DSW4120 ROUGH-INS	9912-660-001

DIMENSIONS SHOWN ARE FOR ADA ADULT HEIGHT. ADJUST VERTICAL DIMENSIONS WITH (*) AS NECESSARY FOR JUVENILE HEIGHTS PER FEDERAL, STATE, & LOCAL CODES



INSTALLATION INSTRUCTIONS:

- A-ROUGH-IN FOR THE FOLLOWING:
- SEE APPROPRIATE ROUGH-IN SHEET FOR ITEMS ①.
 - (6) WALL MOUNTING POINTS ②, FOR TRAP ENCLOSURE MOUNTING BRACKET ③ FOR INSTALLER PROVIDED 1/4" WALL ANCHORS AND ANCHORING HARDWARE ④.

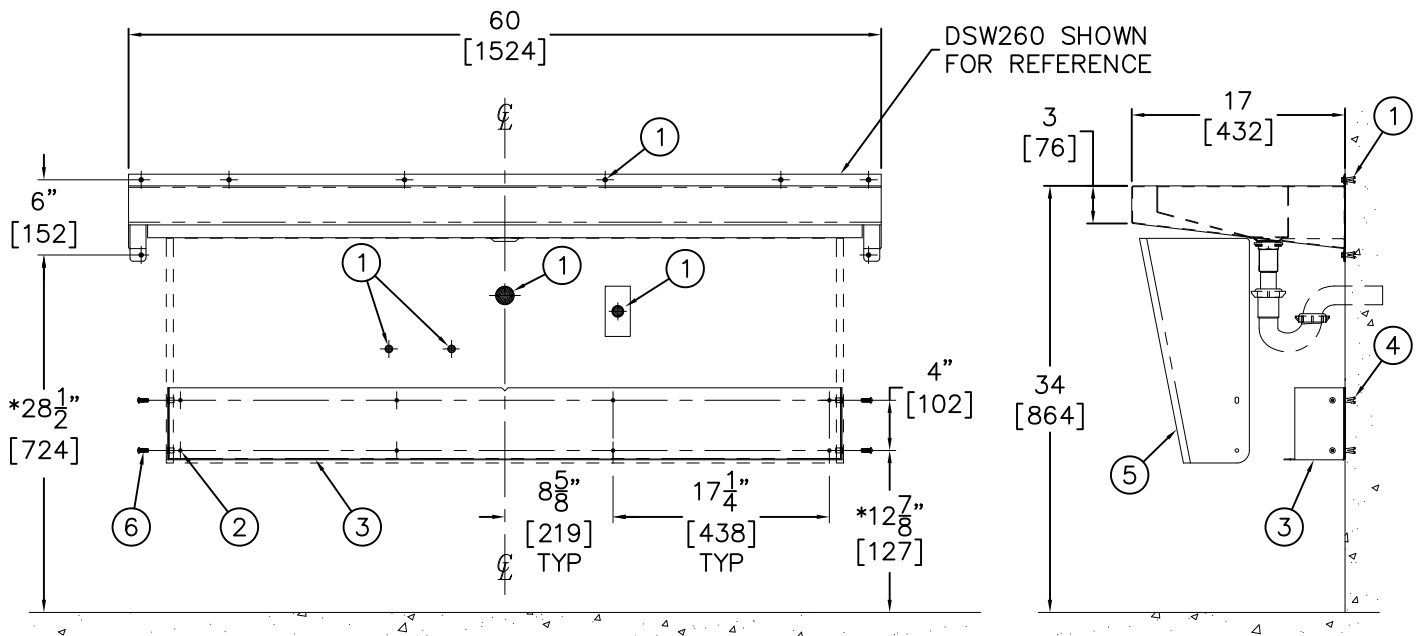
- B-ANCHOR MOUNTING BRACKET ③ TO WALL USING INSTALLER PROVIDED ANCHORING HARDWARE ④.
- C-MOUNT TRAP ENCLOSURE ⑤ TO MOUNTING BRACKET ③ WITH PROVIDED FASTENERS ⑥.

ACORN ENGINEERING COMPANY P.O. BOX 3527 Industry, CA 91744 15125 Proctor Ave Industry, CA 91746 (626) 336-4561 FAX (626) 961-2200	TITLE OPTIONAL -TC1 TRAP COVER INSTALLATION INSTRUCTION		
	MANUFACTURE DATE JANUARY 2021 TO PRESENT	DATE ISSUED 01/04/21	DRAWING NUMBER 9912-631-001



REFERENCE DRAWINGS:	
DSW260 ROUGH-INS	9912-640-001
DSW4120 ROUGH-INS	9912-660-001

DIMENSIONS SHOWN ARE FOR ADA ADULT HEIGHT. ADJUST VERTICAL DIMENSIONS WITH (*) AS NECESSARY FOR JUVENILE HEIGHTS PER FEDERAL, STATE, & LOCAL CODES



INSTALLATION INSTRUCTIONS:

A-ROUGH-IN FOR THE FOLLOWING:

- SEE APPROPRIATE ROUGH-IN SHEET FOR ITEMS ①.
- (8) WALL MOUNTING POINTS ②, FOR TRAP ENCLOSURE MOUNTING BRACKET ③ FOR INSTALLER PROVIDED 1/4" WALL ANCHORS AND ANCHORING HARDWARE ④.

B- ANCHOR MOUNTING BRACKET ③ TO WALL USING INSTALLER PROVIDED ANCHORING HARDWARE ④.

C- MOUNT TRAP ENCLOSURE ⑤ TO MOUNTING BRACKET ③ WITH PROVIDED FASTENERS ⑥.

<p>ACORN ENGINEERING COMPANY P.O. BOX 3527 Industry, CA 91744 15125 Proctor Ave Industry, CA 91746 (626) 336-4561 FAX (626) 961-2200</p>	<p>TITLE OPTIONAL -TC2 TRAP COVER INSTALLATION INSTRUCTION</p>		
	<p>MANUFACTURE DATE</p> <p>JANUARY 2021</p> <p>TO PRESENT</p>	<p>DATE ISSUED</p> <p>01/04/21</p>	<p>DRAWING NUMBER</p> <p>9912-641-001</p>
		<p>DATE REVISED</p>	