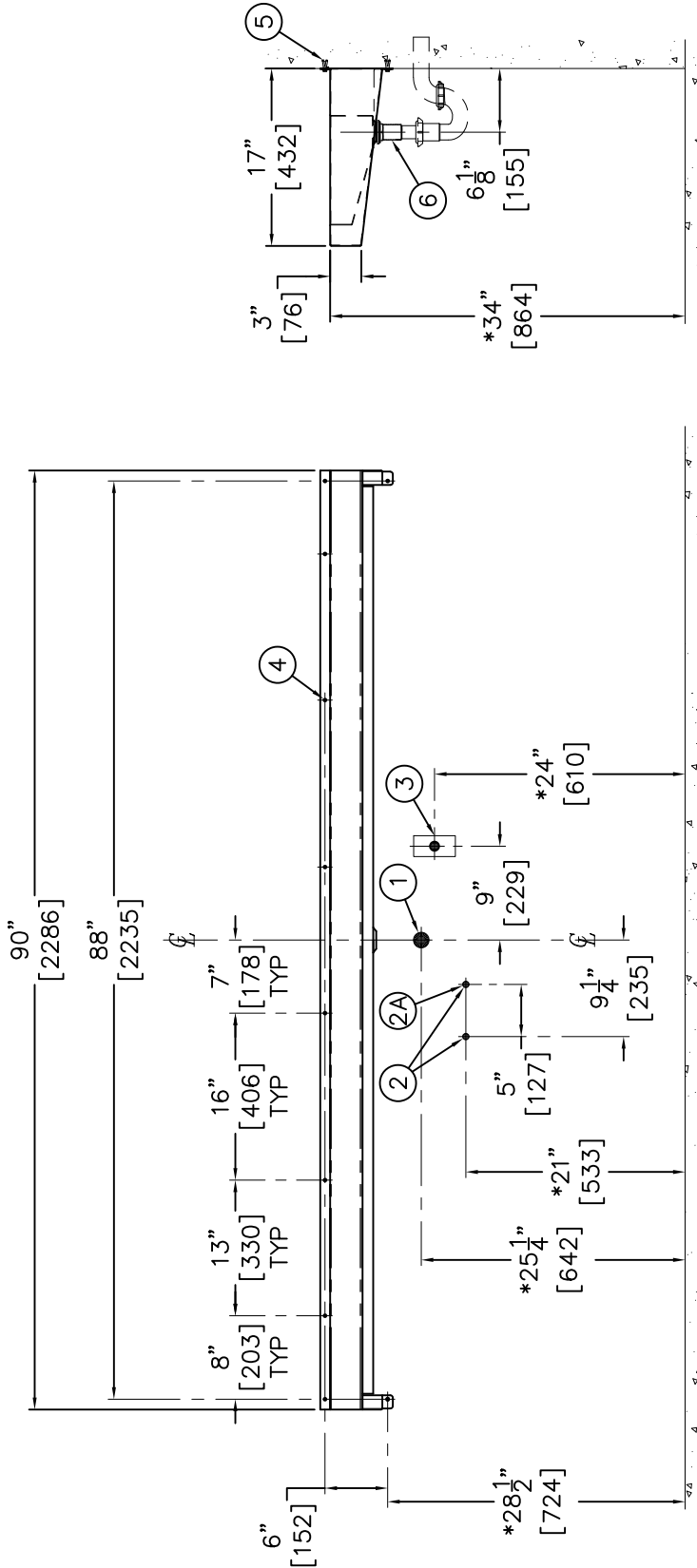




**REFERENCE DRAWINGS:**

-TC1 TRAP COVER INSTALLS	9912-631-001
-TC3 TRAP COVER INSTALLS	9912-651-001

DIMENSIONS SHOWN ARE FOR ADA ADULT HEIGHT. ADJUST VERTICAL DIMENSIONS WITH (\*) AS NECESSARY FOR JUVENILE HEIGHTS PER FEDERAL, STATE, & LOCAL CODES



**INSTALLATION INSTRUCTIONS**

A-ROUGH-IN FOR THE FOLLOWING:

- 1-1/2" OD WASTE OUTLET (1).
- 1/2" NPT HOT & COLD SUPPLY INLETS (2), FOR OPTIONAL FAUCET OR FAUCET BY OTHERS.
- 3/8" O.D. COLD SUPPLY INLETS (2A) FOR OPTIONAL BOTTLE FILLER.
- 120VAC, 60 Hz, 3A (MAX.) GFCI PROTECTED, ELECTRICAL RECEPTACLE (3) FOR OPTIONAL SENSOR OPERATED FAUCET, BOTTLE FILLER AND SOAP DISPENSER.
- (10) WALL MOUNTING PUNCHING (4), FOR INSTALLER PROVIDED 1/4" WALL ANCHORS AND ANCHORING HARDWARE (5).

- B-ANCHOR FIXTURE TO WALL USING INSTALLER PROVIDED ANCHORING HARDWARE (5).
- C-MAKE UP WASTE CONNECTION FOR OPTIONAL GRID STRAINER WITH P-TRAP (6) OR WASTE FITTINGS BY OTHERS.
- D-FLUSH SUPPLY LINES (2) PRIOR TO MAKING UP CONNECTIONS FOR OPTIONAL FAUCET OR BOTTLE FILLER.



ACORN ENGINEERING COMPANY  
 P.O. BOX 3527 Industry, CA 91744  
 15125 Proctor Ave Industry, CA 91746  
 (626) 336-4561 FAX (626) 961-2200

TITLE

**ROUGH-INS & INSTALLATION FOR DSW390 DELUXE TROUGH**

MANUFACTURE DATE

**DECEMBER 2020  
 TO PRESENT**

DATE ISSUED

**12/11/20**

DATE REVISED

**01/05/21 A**

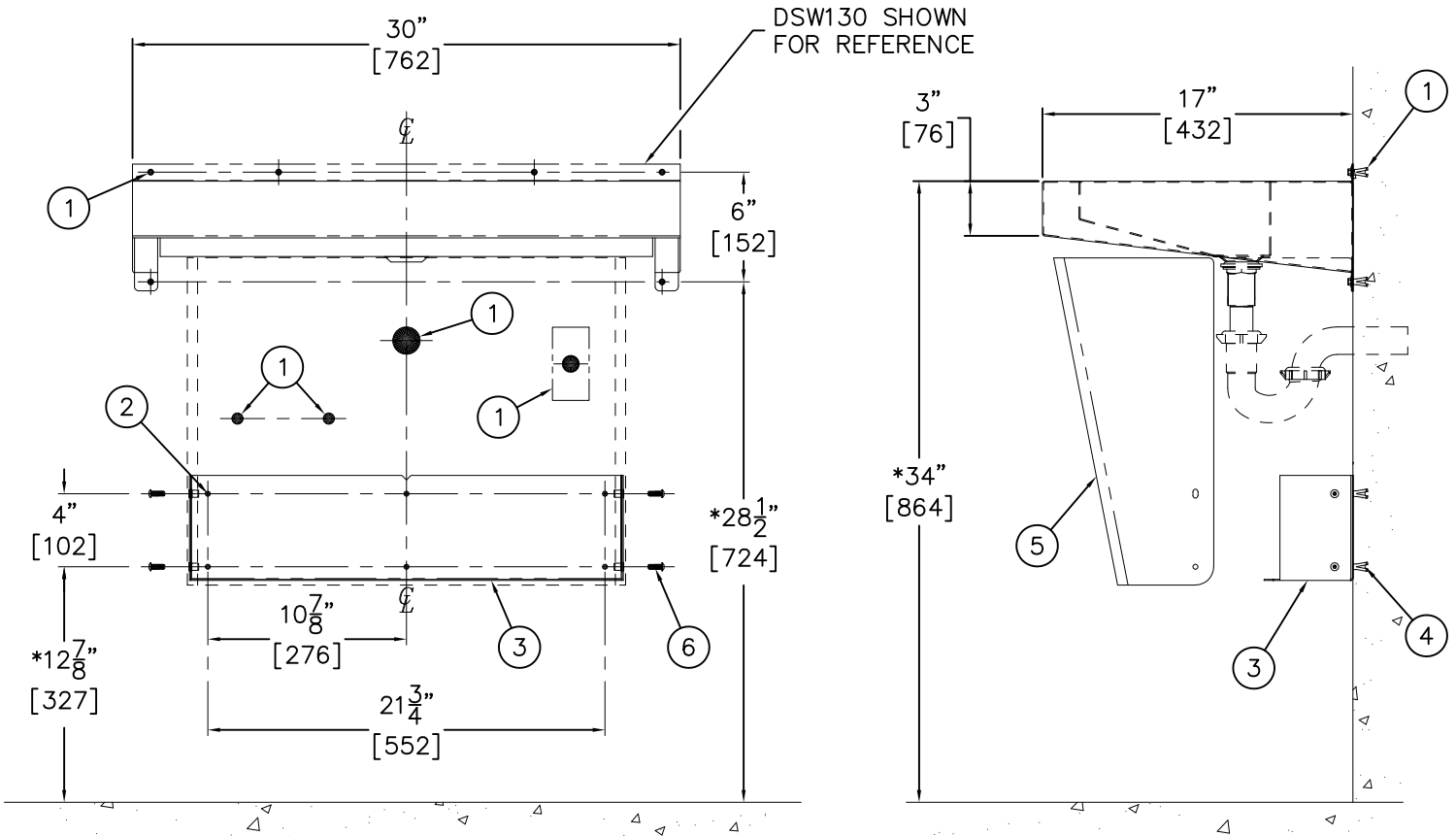
DRAWING NUMBER

**9912-650-001**



REFERENCE DRAWINGS:	
DSW130 ROUGH-INS	9912-630-001
DSW260 ROUGH-INS	9912-640-001
DSW390 ROUGH-INS	9912-650-001
DSW4120 ROUGH-INS	9912-660-001

DIMENSIONS SHOWN ARE FOR ADA ADULT HEIGHT. ADJUST VERTICAL DIMENSIONS WITH (\*) AS NECESSARY FOR JUVENILE HEIGHTS PER FEDERAL, STATE, & LOCAL CODES



**INSTALLATION INSTRUCTIONS:**

- A-ROUGH-IN FOR THE FOLLOWING:
- SEE APPROPRIATE ROUGH-IN SHEET FOR ITEMS ①.
  - (6) WALL MOUNTING POINTS ②, FOR TRAP ENCLOSURE MOUNTING BRACKET ③ FOR INSTALLER PROVIDED 1/4" WALL ANCHORS AND ANCHORING HARDWARE ④.

- B-ANCHOR MOUNTING BRACKET ③ TO WALL USING INSTALLER PROVIDED ANCHORING HARDWARE ④.
- C-MOUNT TRAP ENCLOSURE ⑤ TO MOUNTING BRACKET ③ WITH PROVIDED FASTENERS ⑥.

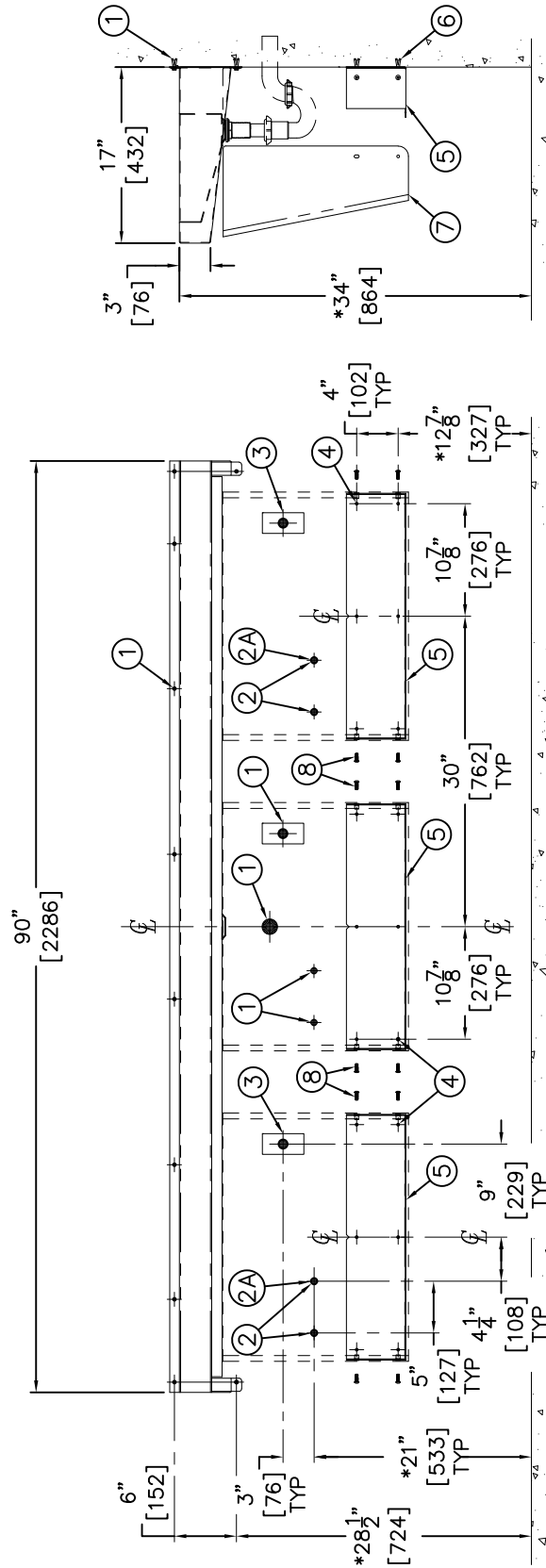
ACORN ENGINEERING COMPANY P.O. BOX 3527 Industry, CA 91744 15125 Proctor Ave Industry, CA 91746 (626) 336-4561 FAX (626) 961-2200	TITLE <b>OPTIONAL -TC1 TRAP COVER INSTALLATION INSTRUCTION</b>		
	MANUFACTURE DATE <b>JANUARY 2021</b> <b>TO PRESENT</b>	DATE ISSUED <b>01/04/21</b>	DRAWING NUMBER <b>9912-631-001</b>



**REFERENCE DRAWINGS:**

DSW390 ROUGH-INS 9912-650-001

DIMENSIONS SHOWN ARE FOR ADA ADULT HEIGHT. ADJUST VERTICAL DIMENSIONS WITH (\*) AS NECESSARY FOR JUVENILE HEIGHTS PER FEDERAL, STATE, & LOCAL CODES



**INSTALLATION INSTRUCTIONS**

A- ROUGH-IN FOR THE FOLLOWING:

- SEE APPROPRIATE ROUGH-IN SHEET FOR ITEMS ①.
- 1/2" NPT HOT & COLD SUPPLY INLETS ②, FOR OPTIONAL FAUCET OR FAUCET BY OTHERS.
- 3/8" O.D. COLD SUPPLY INLETS ②A FOR OPTIONAL BOTTLE FILLER.
- 120VAC, 60 Hz, 3A (MAX.) GFCI PROTECTED, ELECTRICAL RECEPTACLE ③ FOR OPTIONAL SENSOR OPERATED FAUCET, BOTTLE FILLER AND SOAP DISPENSER.

ROUGH-IN FOR THE FOLLOWING CONTINUES:

- (6) WALL MOUNTING POINTS ④, FOR EACH TRAP ENCLOSURE MOUNTING BRACKET ⑤ FOR INSTALLER PROVIDED 1/4" WALL ANCHORS AND ANCHORING HARDWARE ⑥.
- B- ANCHOR MOUNTING BRACKET ⑤ TO WALL USING INSTALLER PROVIDED ANCHORING HARDWARE ⑥.
- C- MOUNT TRAP ENCLOSURE ⑦ TO MOUNTING BRACKET ⑤ WITH PROVIDED FASTENERS ⑧.



ACORN ENGINEERING COMPANY  
P.O. BOX 3527 Industry, CA 91744  
15125 Proctor Ave Industry, CA 91746  
(626) 336-4561 FAX (626) 961-2200

TITLE **OPTIONAL -TC3 TRAP COVER INSTALLATION INSTRUCTION FOR DSW390**

MANUFACTURE DATE  
**JANUARY 2021**  
TO PRESENT

DATE ISSUED  
**01/04/21**  
DATE REVISED

DRAWING NUMBER  
**9912-651-001**