



Portable Wash-Ware® EPS1200 Series

Eco-Plus Portable Hand-Wash Station
Comes Ready To Assemble



EPS1210 - PS1000-F11 - PS1000-PS



EPS1210 - PS1000-F11 - EPS1200-BS1

Fixture May Show Some Available Accessories

Please visit www.acorneng.com for most current specifications.

Eco-Plus Economy Heated, Self-Contained Portable Hand-Wash Station

Acorn's Eco-Plus Portable Hand-Wash Station instantly provides hand washing capability and is ideal for use in Emergency Triage Facilities, remote locations, and the entrance to public buildings and restaurants of all types.

The Tempered Water, Self-Contained design provides the ultimate remote hand washing experience in the absence of plumbed water and waste by using an available electrical supply. The built-in Electric Water Heater offers users the most effective hand wash by providing a tempered water supply from the self contained water source. Both the water supply and waste water are self contained using Storage Tanks concealed within the cabinet.

Self-Contained Model EPS1210 incorporates a Manually Operated Foot Pump to deliver water from the 5-Gallon Fresh Water Storage Tank to the (optional) Gooseneck Spout. The Foot Pump provides the greatest amount of water conservation by allowing users to directly control the water flow used in washing and rinsing. A 6-Gallon removable Wastewater Tank is also provided.

Self-Contained Model EPS1230 provides a pressurized water flow from the 5-Gallon Fresh Water Storage Tank to the Faucet using a 110VAC Plug-in, On-Demand Pump. The Pump allows for use with a variety of Faucet styles and offers the user the greatest ease and convenience. Refer to the optional Gooseneck Faucet selections. A 6-Gallon removable Wastewater Tank is also provided.

Electric Water Heater provides users with warm water for hand washing from a UL listed Mini Tank. The Water Heater supplies Hot Water to a Thermostatic Mixing Valve to blend with the self contained fresh water supply and deliver the tempered supply. The Mixing Valve is ASSE 1069/1070 Certified for scald protection. The Mini Tank meets Lead-Free Standards and conveniently plugs into a 110-120VAC, 15 Amp receptacle.

Optional Gooseneck Faucet selections include a Battery-Operated Hands-Free Sensor, Wrist Blade, or Lever Handle control. A Gooseneck Spout is optionally available when the unit is specified with the EPS1200 Foot Pump model. All faucets are single temperature supply, meet NSF and Lead-Free Standards and include a 0.5 GPM (1.9 LPM) Flow Control.

Fresh Water Tanks and Wastewater Tanks are optionally available for additional storage to reduce filling or dumping.

Countertop is fabricated from type 304 stainless steel and polished to a #4 satin finish. Bowl measures 14-1/2" x 9-5/8" x 5" deep. A removable grid strainer drain is provided as standard.

Cabinet is fabricated of type 304 stainless steel with exposed surfaces polished to a #4 satin finish. Access to plumbing and storage components is through the open rear of cabinet or removable front access panel. Cabinet rim height is available in a -JH Junior Height option (27-1/2" with Foot or 31" with Casters). The standard cabinet assembly is provided with a set of square rubber feet and is optionally available with 3" Dia Casters which include Brake Locks for portability.

Portable Hand-Wash Unit ships unassembled allowing for easy transport to site and comes ready to assemble or optionally available factory pre-assembled.

Optional Backsplash increases the overall utility of the unit and acts as Splashguard to protect rear wall. Backsplash is bolted to the back of lavatory and is available with Paper Towel Holder and Soap Dispenser Holder.

Portable Wash-Ware® EPS1200 Series: Economy Portable Hand-Wash Station



MODEL NUMBER AND OPTIONS SELECTION

BASE MODEL NUMBER: (Faucet Not Included)

Self Contained Models

- EPS1210** Foot Pump (Manually) Operated, Fresh Water Tank, Wastewater Tank, Heater
- EPS1230** On-Demand Plug-In Pump, Fresh Water Tank, Wastewater Tank, Heater

Faucet / Spout Selections (Optional)

Model EPS1210

- PS1000-F11 Gooseneck Spout (Only)

Model EPS1230

- PS1000-F21 Gooseneck, Wrist Blade Handle
- PS1000-F31 Gooseneck, Battery Sensor Operated
- PS1000-F40 Gooseneck, Single Handle

Options:

- JR 31" Junior Rim Height (27-1/2" or 31") (Depending on Model and Options)
- PA Factory Pre-Assembled Unit

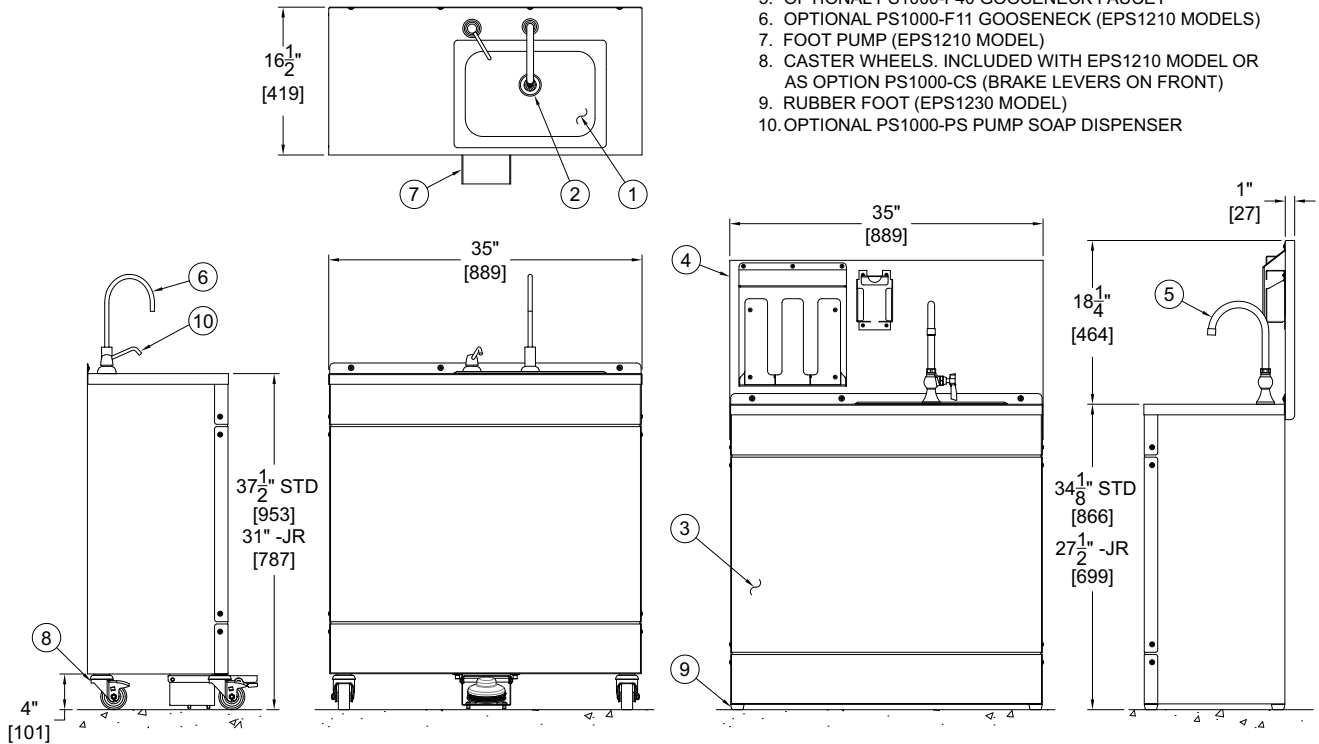
Accessories:

- EPS1200-BS Backsplash (Only)
- EPS1200-BS1 Backsplash with (3) Bay Paper Holder and Soap Bottle Holder (Not available with PS1000-PS Soap Dispenser)
- EPS1200-BS2 Backsplash with (3) Bay Paper Holder (Recommended with PS1000-PS Soap Dispenser)
- PS1000-CS (4) 3" Dia. Swivel Casters, Brake Locks
- PS1000-PS Pump Soap Dispenser
- PS1000-SSO Sensor Operated Soap Dispenser
- PS1000-5GF 5-Gallon (19 Liter) Fresh Water Tank
- PS1000-6GW 6-Gallon (23 Liter) Wastewater Tank
- SW000-PT Daisy Strainer with Tailpiece and 1-1/2" P-Trap, Plastic
- WH-DECAL 10" Sticky Decal "Wash Your Hands"

Please visit www.acorneng.com for most current specifications.

NOTES

1. RECTANGULAR BOWL
2. OPTIONAL SW000-PT
3. REMOVABLE ACCESS PANEL
4. OPTIONAL EPS1200-BS1 BACKSPLASH
5. OPTIONAL PS1000-F40 GOOSENECK FAUCET
6. OPTIONAL PS1000-F11 GOOSENECK (EPS1210 MODELS)
7. FOOT PUMP (EPS1210 MODEL)
8. CASTER WHEELS. INCLUDED WITH EPS1210 MODEL OR AS OPTION PS1000-CS (BRAKE LEVERS ON FRONT)
9. RUBBER FOOT (EPS1230 MODEL)
10. OPTIONAL PS1000-PS PUMP SOAP DISPENSER



EPS1210 - PS1000-F11 - PS1000-PS (SHOWN)

EPS1230 - EPS1000-BS1 - PS1000-F40 (SHOWN)

WARNING: Cancer and Reproductive Harm - www.P65Warnings.ca.gov

<p>Important: Installation instructions and current rough-in are furnished with each fixture. Do not rough in without certified dimensions. Dimensions are subject to manufacturer's tolerance of plus or minus 1/4" and change without notice. Acorn assumes no responsibility for use of void or superseded data. © Copyright 2007 Acorn Engineering Company</p>	
<p style="text-align: center;">Selection Summary</p> <p>Model No. & Option _____</p> <p>Quantity _____</p>	<p style="text-align: center;">Approved for Manufacturing</p> <p>Company _____ Title _____</p> <p>Signature _____ Date _____</p>