



## Wash-Ware® ETL1 Series

Economy Trapezoidal Lavatory



**ETL1 - SW000-50 - SW000-PTC**

Fixture May Show Some Available Options

Please visit [www.acorneng.com](http://www.acorneng.com) for most current specifications

### Economy Trapezoidal Lavatory

Acorn's Stainless-Steel Economy Wall Mounted Lavatory is designed to assist with public safety in areas where hand washing facilities are required. The cost-effective design saves on space and is ideal for use in Emergency Triage Facilities, the entrance to public buildings of all types or to expand the number of existing Hand-Wash Stations.

**Lavatory Trapezoidal Bowl** is 16" x 12" x 5" deep. Lavatory deck has an integral non-drip raised edge. Lavatory includes drain punching to accept a 1-1/2" Drain Assembly. Deck is pre-drilled with (3) hole punching for a 4" Centerset Faucet. A pre-drilled Backsplash return is provided for mounting unit to a reinforced wall. Lavatory side Angle Braces are provided standard and furnished loose.

**Cabinet** is fabricated from 18 gauge, type 304 stainless steel and is one piece die formed. Exterior surfaces are polished to a #4 satin finish.

**Front Support Legs** are optionally available to provide support in addition to wall mounting. Front Supports are intended for "light duty" installations less prone to vandalism. Legs are fabricated from 1-1/2" diameter, heavy gage, type 304 stainless steel tubing. Each leg attaches beneath the trough rim and may be specified for rim heights ranging from 24", 30" or 34" to accommodate users from child to adult. An adjustable foot to accommodate uneven floor surfaces is included.

**Faucet** selections are optionally available and include: Single Temp Battery Powered Sensor Operated Faucet with Stainless Steel "J" Spout and Deck Plate for 4" Centerset punching; Hot and Cold Gooseneck Spout with Wrist Blade Handles; Hot and Cold Sink Spout with Wrist Blade Handles. Faucets are intended for 4" Centerset punching provided on Lavatory. All Faucets meet NSF and Lead-Free Standards and include a 0.5 GPM (1.9 LPM) Flow Control.

**Regularly furnished** items include Angle Braces. Mounting screws and anchor shields are furnished by others.

**Additional Options** include a Daisy (Drain) Strainer with Tailpiece and a P-trap Assembly made of Plastic or Chrome Plated Brass.

# Wash-Ware®: ETL1 Economy Trapezoidal Lavatory



## MODEL NUMBER AND OPTIONS:

### BASE MODEL NUMBER

ETL1 Economy Trapezoidal Lavatory-Wall Mount

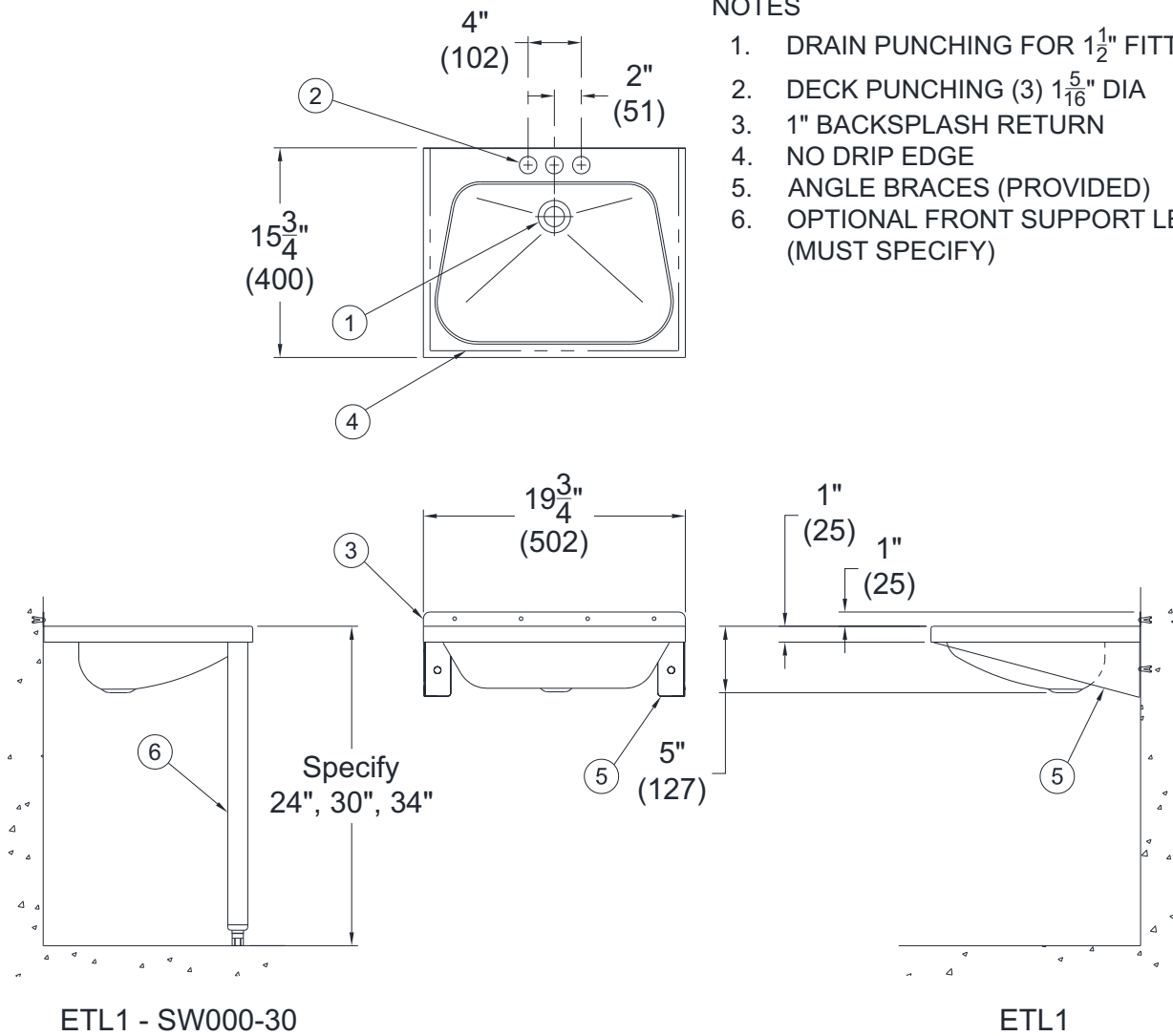
### Faucets (Optional)

- SW000-50 H&C Wristblade Faucet, Gooseneck Spout
- SW000-51 H&C Wristblade Faucet, Spout
- SW000-60 S/T Sensor Operated Faucet, J Spout, Plate

### Accessories

- SW000-24 Front Support Legs, 24" Rim Height (Child)
- SW000-30 Front Support Legs, 30" Rim Height (Junior)
- SW000-34 Front Support Legs, 34" Rim Height (Adult)
- SW000-PT Daisy Strainer, Tailpiece, 1-1/2" P-Trap, Plastic
- SW000-PTC Daisy Strainer, Tailpiece, 1-1/2" P-Trap, Chrome

Please visit [www.acorneng.com](http://www.acorneng.com) for most current specifications



### NOTES

1. DRAIN PUNCHING FOR 1 1/2" FITTING
2. DECK PUNCHING (3) 1 5/16" DIA
3. 1" BACKSPASH RETURN
4. NO DRIP EDGE
5. ANGLE BRACES (PROVIDED)
6. OPTIONAL FRONT SUPPORT LEGS (MUST SPECIFY)

ETL1 - SW000-30

ETL1

**WARNING:** Cancer and Reproductive Harm - [www.P65Warnings.ca.gov](http://www.P65Warnings.ca.gov)

<p><b>Important:</b> Installation instructions and current rough-in are furnished with each fixture. Do not rough in without certified dimensions. Dimensions are subject to manufacturer's tolerance of plus or minus 1/4" and change without notice. Acorn assumes no responsibility for use of void or superseded data. © Copyright 2009 Acorn Engineering Company</p>	
<p style="text-align: center;">Selection Summary</p> <p>Model No. &amp; Option _____</p> <p>Quantity _____</p>	<p style="text-align: center;">Approved for Manufacturing</p> <p>Company _____ Title _____</p> <p>Signature _____ Date _____</p>