

Wash-N-Go![™]
MODEL GWQ84 SERIES

PEDESTAL MOUNTED
HAND WASHING STATION WITH
BOTTLE FILLER AND DRINKING FOUNTAIN

STANDARD FEATURES

- Adult ADA compliant
- Pushbutton and hands free sensor operated bottle filler
- Stainless steel, anti-rotation non-squirt bubbler
- Hands free sensor faucet
- Resistant to sunlight, heat, moisture and wear
- 16 Gage, 304 stn stl hand wash basin
- 18 Gage, 304 stn stl drinking fountain bowls
- 12 Gage, heavy duty stn stl construction with corrosion and scratch resistant finish
- 100 mesh inlet strainer
- Lead and cyst filter Bottle Filler and Fountain
- Access cover, heavy duty stn stl vandal resistant

SUGGESTED SPECIFICATIONS

Pedestal mounted Hand Washing Station with bottle filler and drinking fountain shall be Murdock model GWQ84 series. Construction shall be 12 gage, all stainless steel with 18 gage stainless steel fountain bowl and 16 gage stainless hand wash basin. Hand wash shall be activated by a 9 Volt DC hands free sensor operated battery faucet with 0.5 GPM Laminar flow outlet to minimize splash (specify faucet operation). Pedestal shall have four mounting holes. Access covers shall be secured with vandal-resistant stainless steel screws. Bottle filler shall be activated by a 9 volt sensor or a pushbutton as standard. Unit shall contain a 100 mesh inlet strainer, lead and cyst filter. Bottle filler to include 6-AA battery pack and laminar flow spout. Self-closing pushbuttons, needing less than 5 pounds force, shall activate internally mounted valves with adjustable stream regulators. Bubblers shall be stainless steel with non-squirt feature and operate on water pressure range of 20-105 psig. Unit to comply with ANSI A117.1, Public Law 111-380 (NO-LEAD), CHSC 116875 and NSF/ANSI 61, Section 9. Fixture meets ADA and ADA Standing Person, requirements when mounted appropriately.

Complies with the following standards:



Model GWQ85-SO-PF Shown

MODEL:

(Must Specify)

- GWQ84 Satin Stainless Finish
- GWQ85 Green Powder-Coated (Shown)
- GWQ86 Red Powder-Coated
- GWQ87 Blue Powder-Coated

Custom color finishes available upon request.

WASH BASIN OPERATION:

(Must Specify)

- SO-BAT Sensor operation, Battery powered faucet

OPTIONS AND ACCESSORIES:

(additional costs may be incurred)

- GW000-PS Pump Soap Dispenser ²
- CH31 Child Height, 31", Basin Rim and Bubbler
- IAP In-ground anchor plate ¹
- IGM In-ground 14" mounting
- LOGO Customer specified logo
- MO Bottle filler operated by pushbutton only
- PF Pet fountain ¹
- WF3 Water filter - 3000 Gallon capacity ¹

Contact factory for information on freeze resistant models.

Option Details

¹ See separate options sheet for details.

² Side Mounted "Urn Style" with Mounting Bracket and Hardware. Non-ADA Compliant



Member of
U.S. Green
Building
Council



Recyclable
Product



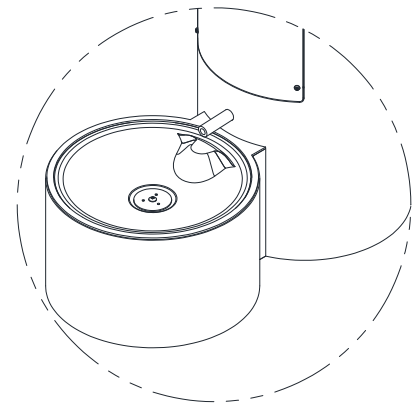
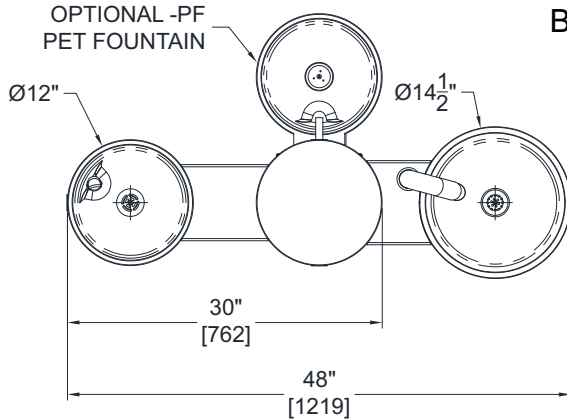
Water
Conserving
Product

WARNING: Cancer and Reproductive Harm - www.P65Warnings.ca.gov

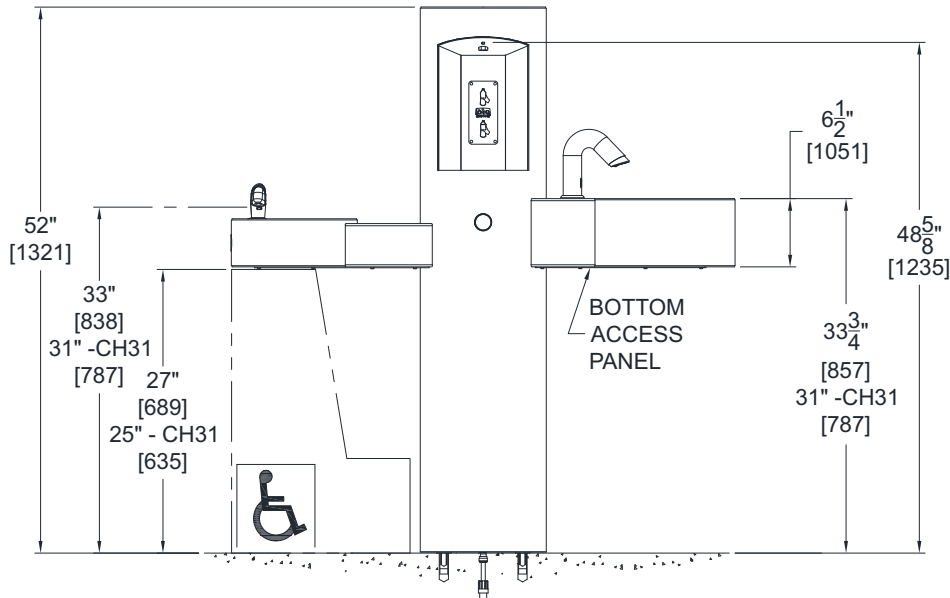
* Valve specifications:
Minimum/Maximum Pressure
30 to 100 psi.

Wash-N-Go![™]
MODEL GWQ84 SERIES

**PEDESTAL HAND WASHING STATION WITH
BOTTLE FILLER AND DRINKING FOUNTAIN**



**OPTIONAL -PF PET
FOUNTAIN
DETAIL**



GWQ74-SO

Murdock Mfg.[™] warrants that its products are free from defects in material or workmanship under normal use and service for a period of one year from date of shipment. Murdock's liability under this warranty shall be discharged solely by replacement or repair of defective material, provided Murdock[™] is notified in writing within one year from date of shipment, F.O.B. Industry, California.

SELECTION SUMMARY & APPROVAL FOR MANUFACTURING	Model Number & Options _____	Quantity _____	<p><small>All dimensions are subject to manufactures tolerance of plus or minus 1/2" nominal and subject to change without notice. Murdock assumes no responsibility for use of void or superseded data. Dimensions may change with the addition of optional accessories. Murdock Mfg.[™], Member of Morris Group International[™]. Please visit www.murdockmfg.com for most current specifications.</small></p>
	Company _____		
	Contact _____	Title _____	
	Signature (Approval for Manufacturing) _____	Date _____	