



PORTABLE
WASH-WARE

Portable Wash-Ware® PS1100 Series

Deluxe Portable Hand-Wash Station Foot Pedal Series



PS1130 - PS1000-F11

Fixture May Show Some Available Accessories

Please visit www.acorneng.com for most current specifications.

Deluxe Portable Hand-Wash Station with Foot Pedal

Acorn's Deluxe Portable Hand-Wash Station instantly provides hand washing capability and is ideal for use in Emergency Triage Facilities, remote locations, and the entrance to public buildings and restaurants of all types. Certain units may also be configured for outdoor use. Water source may be self contained using the Fresh Water Storage Tank or from a plumbed water supply connection such as a Hose Valve.

PS1100 Foot Pedal Series Models provide Hands Free use. Foot Pedal activates a Single Temperature Valve assembly and allows the user on and off control of the water flow.

Self Contained Model PS1131, allows for hand washing in the absence of a plumbed water supply source or waste outlet however, with available electrical. Water to the Gooseneck Spout is provided from a 5-Gallon Fresh Water Storage Tank. Pressurized flow from the Tank to the Spout is from a 110VAC Plug-in, On-Demand Pump. A 6-Gallon Wastewater Tank is also provided.

Water Supply Models PS1115, PS1120 and PS1121 rely on an existing plumbed, potable water supply such as a Hose Valve connection, and use either a 6-Gallon Wastewater Storage Tank (PS1115, PS1120) or a Hose for wastewater removal. Model PS1121 includes Flood Prevention.

Water Supply with Electric Water Heater Model PS1140 and PS1141 provide user with Tempered Water using an existing fresh water source. A UL listed Mini Tank Water Heater provides Hot Water to a Thermostatic Mixing Valve to deliver tempered supply. The Mixing Valve is ASSE 1069/1070 Certified for scald protection. The Mini Tank meets Lead-Free Standards and conveniently plugs into a 110-120VAC, 15 Amp receptacle. Model PS1141 includes Flood Prevention.

Flood Prevention Models PS1121 and PS1141 eliminate accidental overflow of the 5-Gallon Wastewater Tank. Units include a platform inside the Cabinet to sense the Wastewater Tanks weight to shut off the water supply to the Spout when the Tanks capacity is reached. This alerts users to empty the Tank, which resets the Foot Pedal Control Valve for continued use.

Optional Gooseneck Spout provides hands free use with the manually operated Foot Pedal and single temperature valve assembly. Components meets NSF and Lead-Free Standards and include a 0.5 GPM (1.9 LPM) Flow Control.

Wastewater removal from the Wash Station for all units is based on the site conditions using either a removable 6-Gallon Wastewater Tank or Waste Hose with 3/4" Female Hose Threaded outlet.

Fresh Water Tanks and Wastewater Tanks are optionally available for additional storage to reduce filling or dumping.

Portable Hand-Wash Cabinet is fabricated of type 304 stainless steel with exposed surfaces polished to a #4 satin finish. A hinged door with Magnetic Door Latch allows access to plumbing and storage components. Oval Lavatory Bowl is 14-1/2" x 9-1/2" x 6" deep, and fabricated from heavy gage type 304 stainless steel, which is polished to a #4 satin finish. A removable grid strainer drain is provided. Cabinet rim height is available in a lower -JH Junior Height option. The cabinet includes handles and 3" diameter Swivel Casters for easy mobility with Brake Levers to keep unit stationary during use.

Portable Wash-Ware® PS1100 Series: Portable Hand-Wash Station



MODEL NUMBER AND OPTIONS SELECTION

BASE MODEL NUMBER: (Faucet Not Included)

Self Contained Model

- PS1131** On-Demand Plug-In Electric Pump, Fresh Water Tank, Wastewater Tank, Foot Pedal Actuation

Water Supply Required Models

- PS1115** Hose Supply, Hose Waste, Foot Pedal
- PS1120** Hose Supply, Wastewater Tank, Foot Pedal
- PS1121** Hose Supply, Wastewater Tank, Foot Pedal Flood Prevention Feature
- PS1140** Hose Supply, Water Heater, Wastewater Tank, Foot Pedal Actuation
- PS1141** Hose Supply, Water Heater, Wastewater Tank, Foot Pedal, Flood Prevention Feature

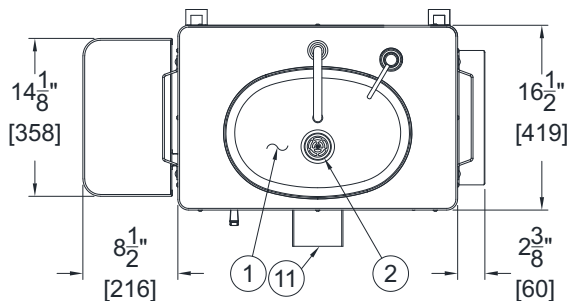
Spout Selection (Optional)

- PS1000-F11 Gooseneck Spout (Only)

Options and Accessories

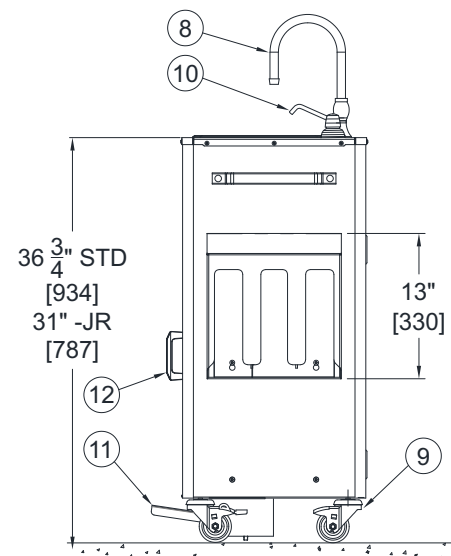
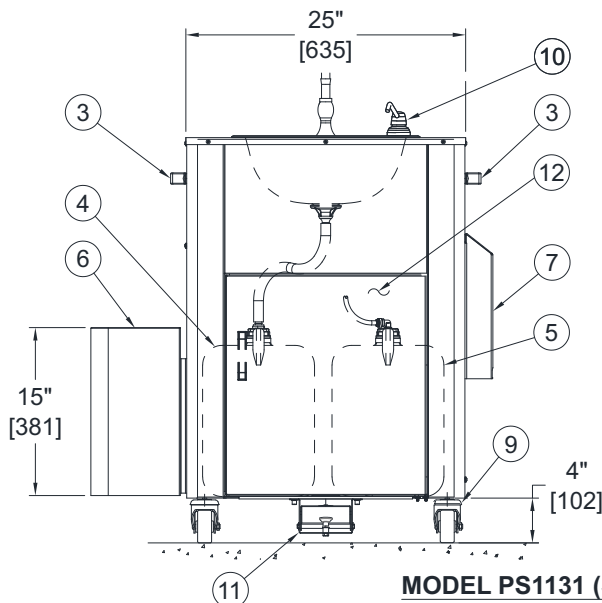
- JR 31" Junior Rim Height
- PS1000-PH3 3-Bay C-Fold Paper Holder
- PS1000-PS Pump Soap Dispenser
- PS1000-SSO Sensor Operated Soap Dispenser
- PS1000-TR 6-Gallon Trash Receptacle
- PS1000-SG Wrap Around Splash Guard
- PS1000-SG1 Wrap Around Splash Guard w/ 2-Bay Paper Holder and Soap Holder
- PS1000-SG2 Wrap Around Splash Guard, 2-Bay Paper Holder
- PS1000-5GF 5-Gallon (19 Liter) Fresh Water Tank (PS1131)
- PS1000-5GW 5-Gallon (19 Liter) Wastewater Tank (PS1121, PS1141)
- PS1000-6GW 6-Gallon (23 Liter) Wastewater Tank (PS1120, PS1131, 1140)
- WH-DECAL 10" Sticky Decal "Wash Your Hands"

Please visit www.acorneng.com for most current specifications.



NOTES:

1. OVAL BOWL
2. REMOVABLE GRID STRAINER
3. CART HANDLES (STANDARD)
4. WASTEWATER TANK
5. FRESH WATER TANK
6. OPTIONAL PS1000-TR TRASH RECEPTACLE
7. OPTIONAL PS1000-PH3 PAPER HOLDER
8. OPTIONAL PS1000-F11 GOOSENECK FAUCET
9. (4) 3" DIA CASTERS (BRAKE LOCKS ON FRONT)
10. OPTIONAL PS1000-PS PUMP SOAP DISPENSER
11. FOOT PEDAL ACTUATOR
12. HINGED DOOR WITH HANDLE



MODEL PS1131 (See notes for options shown)

WARNING: Cancer and Reproductive Harm - www.P65Warnings.ca.gov

<p>Important: Installation instructions and current rough-in are furnished with each fixture. Do not rough in without certified dimensions. Dimensions are subject to manufacturer's tolerance of plus or minus 1/4" and change without notice. Acorn assumes no responsibility for use of void or superseded data. © Copyright 2007 Acorn Engineering Company</p>	
<p style="text-align: center;">Selection Summary</p> <p>Model No. & Option _____</p> <p>Quantity _____</p>	<p style="text-align: center;">Approved for Manufacturing</p> <p>Company _____ Title _____</p> <p>Signature _____ Date _____</p>